

# Technical data sheet



## Product features

### Cooling cabinet 967 l counter top stainless steel

<b>Model</b>	<b>SAP Code</b>	00013350
MN 900	<b>A group of articles - web</b>	Refrigeration and freezer cabinets



- GN / EN size in device: GN 2/1
- Chamber volume [l]: 967
- Minimum device temperature [°C]: 2
- Maximum device temperature [°C]: 8
- Insulation thickness [mm]: 60
- Control type: Digital
- Interior lighting: Yes
- Door lock: Yes
- Opening of device: Two-sided
- Automatic defrost: Yes
- HACCP: No
- Annual energy consumption [kWh]: 1205

<b>SAP Code</b>	00013350	<b>Gross Volume [m3]</b>	2.099
<b>Net Width [mm]</b>	1340	<b>Net Volume [m3]</b>	1.885
<b>Net Depth [mm]</b>	700	<b>GN / EN size in device</b>	GN 2/1
<b>Net Height [mm]</b>	2010	<b>Minimum device temperature [°C]</b>	2
<b>Net Weight [kg]</b>	149.00	<b>Maximum device temperature [°C]</b>	8
<b>Power electric [kW]</b>	0.450	<b>Refrigerant</b>	R290
<b>Loading</b>	230 V / 1N - 50 Hz	<b>Refrigerant weight [g]</b>	130.00
<b>Energy class</b>	D	<b>Climate class</b>	4
<b>Chamber volume [l]</b>	967		

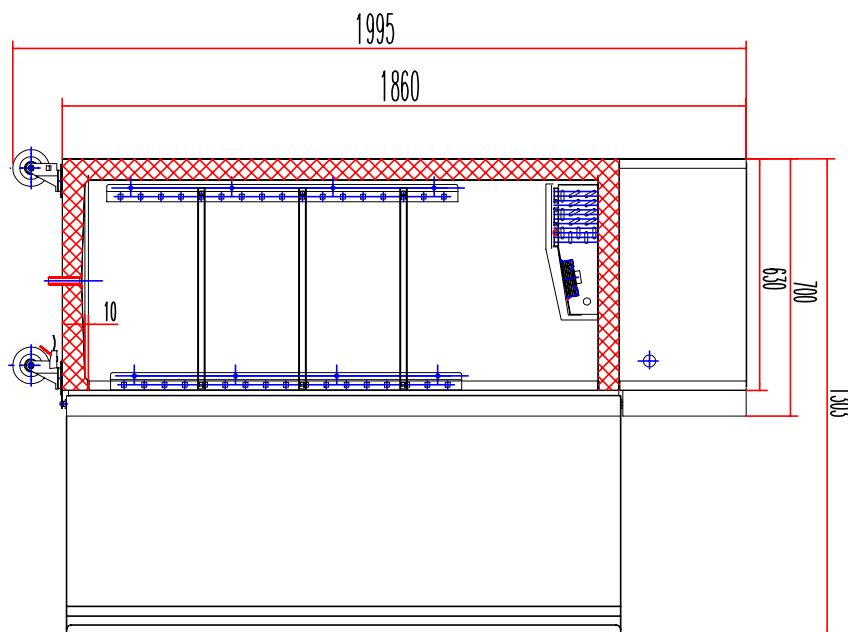
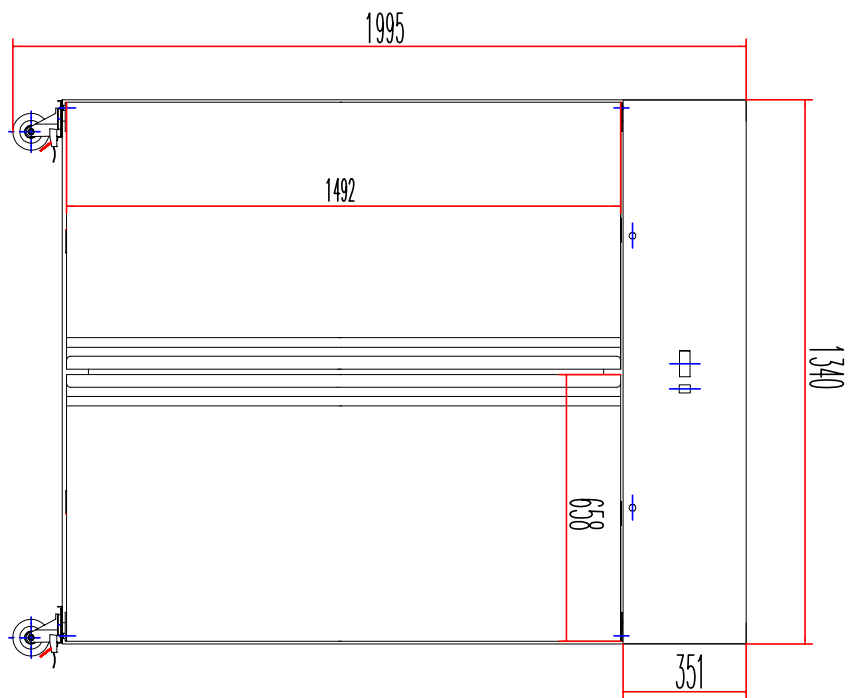
# Technical data sheet



Technical drawing

## Cooling cabinet 967 l counter top stainless steel

<b>Model</b>	<b>SAP Code</b>	00013350
MN 900	<b>A group of articles - web</b>	Refrigeration and freezer cabinets



# Technical data sheet



## Technical parameters

### Cooling cabinet 967 l counter top stainless steel

<b>Model</b>	<b>SAP Code</b>	00013350
MN 900	<b>A group of articles - web</b>	Refrigeration and freezer cabinets

**1. SAP Code:**

00013350

**2. Net Width [mm]:**

1340

**3. Net Depth [mm]:**

700

**4. Net Height [mm]:**

2010

**5. Net Weight [kg]:**

149.00

**6. Gross Width [mm]:**

1370

**7. Gross depth [mm]:**

740

**8. Gross Height [mm]:**

2070

**9. Gross Weight [kg]:**

164.00

**10. Device type:**

Electric unit

**11. Power electric [kW]:**

0.450

**12. Loading:**

230 V / 1N - 50 Hz

**13. Energy class:**

D

**14. Refrigerant:**

R290

**15. Cooling type:**

Static with fan

**16. Material:**

Stainless steel

**17. Exterior color of the device:**

Stainless steel

**18. Min ambient temperature [°C]:**

18

**19. Max ambient temperature [°C]:**

43

**20. Additional information:**

inner material stainless steel

**21. Device properties 2:**

Cooling

**22. GN / EN size in device:**

GN 2/1

**23. Chamber volume [l]:**

967

**24. Gross Volume [m3]:**

2.099

**25. Net Volume [m3]:**

1.885

**26. Worktop material:**

SS201

**27. Adjustable feet:**

Yes

**28. Pizza design:**

No

# Technical data sheet



## Technical parameters

### Cooling cabinet 967 l counter top stainless steel

<b>Model</b>	<b>SAP Code</b>	00013350
MN 900	<b>A group of articles - web</b>	Refrigeration and freezer cabinets

**29. Insulation thickness [mm]:**

60

**39. Minimum device temperature [°C]:**

2

**30. Opening of device:**

Two-sided

**40. Maximum device temperature [°C]:**

8

**31. Number of doors:**

2

**41. Automatic defrost:**

Yes

**32. Number of drawers:**

0

**42. Defrosting cycle:**

Yes

**33. Unit:**

Yes

**43. Humidification:**

No

**34. Control type:**

Digital

**44. Refrigerant weight [g]:**

130.00

**35. Door lock:**

Yes

**45. Number of grids:**

6

**36. Interior lighting:**

Yes

**46. Climate class:**

4

**37. HACCP:**

No

**47. Cross-section of conductors CU [mm<sup>2</sup>]:**

0,5

**38. Annual energy consumption [kWh]:**

1205